

## SPECIFICATIONS

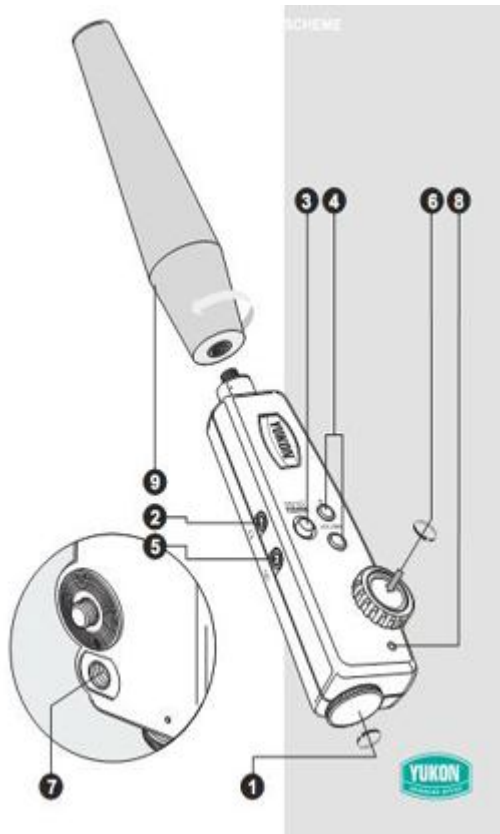
Sound Amplification, dB	0-66
Frequency Response, Hz	500-10000
Sensitivity at frequency level of 1000 Hz, mV/Pa	20+5
Dimensions, mm/in	310x30x45 / 12.2x1.8x1.2
Weight, kg/oz	0.13 /4.6
Voltage, V	3
Operation time, hour	300

## INSTRUCTIONS

Yukon's new Directional Sound Amplification System (DSAS) is a highly sophisticated professional amplification device designed for enhanced listening and recording of distant or faint sounds. DSAS Yukon can be attached to all optical products that have a 1/4" inch mount. Portability between optical devices gives the DSAS owner the luxury of combining the most appropriate optical scope with a sound amplification system best suited for each specific application.

## USE AND TESTING

1. Remove the DSAS Yukon from its carrying case.
2. Insert the battery into the battery compartment (1) according to the markings on the inside.
3. Connect the Directional Antenna (9).
4. Connect the headset to the output jack (2).
5. Place headset speakers on ears and activate the device by depressing the "ON" button.
6. Adjust sound amplification volume to an optimal level by changing the equalizer adjuster.
7. Direct the DSAS's microphone towards the source of sound.
8. For recording purposes insert the connector into recording jack (5) and begin recording.
9. Follow instructions in your recorder's manual. To connect the DSAS Yukon to other optical devices push the head of the screw (6) until the 1/4" mount is moved out. Attach the unit to the tripod socket of your optics.
10. Mount the DSAS Yukon on a tripod with the tripod socket (7).
11. To turn off the DSAS press the "ON/OFF" button. Always check the LED indicator light (8) it will turn off when the system is off.



## WARRANTY

The Manufacturer warrants its products against defects in materials and workmanship for a period of three years from the original date of purchase. Any device returned for warranty service must be judged by The Manufacturer as having been used according to its original design intents. As such, misuse, neglect, or any abnormal use is not covered by this warranty.

The Manufacturer will repair or replace products or parts thereof, which, upon inspection by The Manufacturer, are found to be defective in either materials or workmanship. As a condition of The Manufacturer's obligation regarding warranty work, the product must be returned to The Manufacturer with satisfactory proof of purchase. It is highly recommended that you fill out and return your warranty registration card to ensure the warranty coverage.

This warranty is null and void if equipment has been altered, tampered with, modified, or otherwise abused, mishandled, or subjected to unauthorized repairs.

The Manufacturer disclaims any other warranties, either expressed or implied, except as expressed herein. The sole obligation of The Manufacturer is to repair or replace the covered device.