

## SPECIFICATIONS

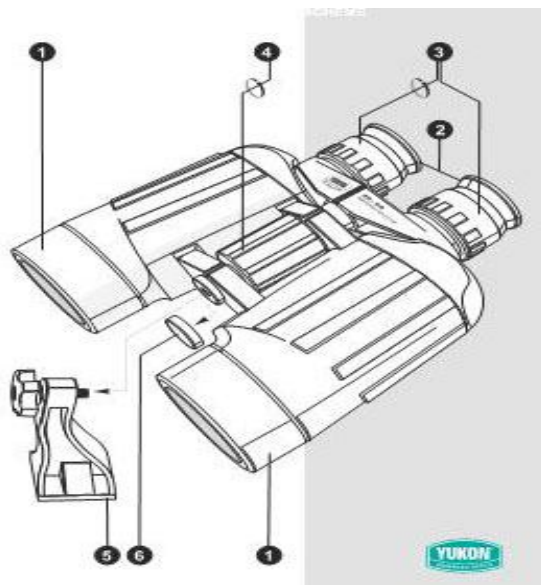
Model	30x50
Objective Lens, mm	50
Magnification, x	30
Field of view m/ft @ 1000 m/yds	32/105
Length, mm/in	204 / 8
Weight, kg/oz	1.1/39

## INSTRUCTIONS

These instructions will help familiarize you with the Yukon Newtonian Reflector Binocular. The new Yukon binoculars utilize a Newtonian-style reflecting mirror and lens optical system. The folded light path system allows our binocular to provide high resolution and magnification in a compact frame. Yukon Binocular is sold with a tripod mount adapter.

## FOCUSING

1. Remove the binocular from the carrying case.
2. Remove protective lens caps from the front lenses (1) and the eye pieces (3).
3. Set the interpupillary distance (2) by moving the lens barrels of the binocular until you can see one circle of view.
4. Focus the left eye by turning the center focus wheel (4).
5. Adjust the right eye by turning the right eyepiece (3) until the image is clear.
6. When using the binocular it is recommended to use the tripod with mount adapter (5) which can be attached to the socket under the removable cover (6).



## **CARE AND MAINTENANCE**

1. With proper care and handling your Yukon binocular will provide problem free performance for many years to come.
2. When cleaning the binocular lenses, use a light coating of a lens cleaning solution and a soft cotton cloth. Do not pour lens cleaner directly on the lens itself as the solution may enter the binocular body.
3. Condensation on the lens may occur when bringing the binocular in from the cold. This is common and within one hour this condition should disappear.
4. Do not submerge the binocular into water, as it is water-resistant but not water proof.

*Warning! Never observe the sun either directly or with the optical device.*

## **WARRANTY**

The Manufacturer warrants its products against defects in materials and workmanship for a period of 3 years from the original date of a purchase. Any device returned for warranty service must be judged by the Manufacturer as having been used according to its original design intents. As such, misuse, neglect, or any abnormal use is not covered by this warranty. The Manufacturer will repair or replace products or parts thereof, which, upon inspection by the Manufacturer, are found to be defective in either materials or workmanship. As a condition of the Manufacturer's obligation regarding warranty work, the product must be returned to the Manufacturer with a satisfactory proof of a purchase. It is highly recommended that you fill out and return your warranty registration card to ensure the warranty coverage. This warranty is null and void if equipment has been altered, tampered with, modified, or otherwise abused, mishandled, or subjected to unauthorized repairs. The Manufacturer disclaims any other warranties, either expressed or implied, except as expressed herein. The sole obligation of the Manufacturer is to repair or replace the covered device.