

SPECIFICATIONS

Magnification, x	1.5-6	3-12
Field of view, degree	11-2.8	5-1.3
Field of view, m /100 m	19.4-4.9	8.75-2.27
Exit pupil, mm	16.7-6.8	16-4.8
Eye relief, mm	68-80	87-92
Twilight factor	7.9-15.8	12.9-25.9
Transmission	92%	92%
Diopter adjustment range, D	-2.5/+2	-3/+2
Mounting diameter, mm	30	30
Parallax-free	100 m	100 m
Lens diameter	42	56
Diameter of eyepiece housing, mm	44	44
Adjustment per click at 100	7 mm/100 m	7 mm/100 m
Operating temperature	-30 °C ... +60 °C	-30 °C ... +60 °C
Degree of protection, IP Code	IPX7	IPX7
Length, mm / inch	311	387
Weight, g / oz	555	740
Reticle type	Nº 40	Nº 40
Power supply	CR2032 / 3V	CR2032 / 3V

DESCRIPTION

Optical sights Craft 1.5-6x42 and 3-12x56 are designed for target shooting using weapon of various calibres, including large calibres. Craft sights are suitable for a wide range of applications including daytime hunting, sports shooting and law enforcement.

PACKAGE CONTENTS

- Optical sight Craft
- Eyepiece and lens caps
- User manual
- Lens cloth
- Warranty card

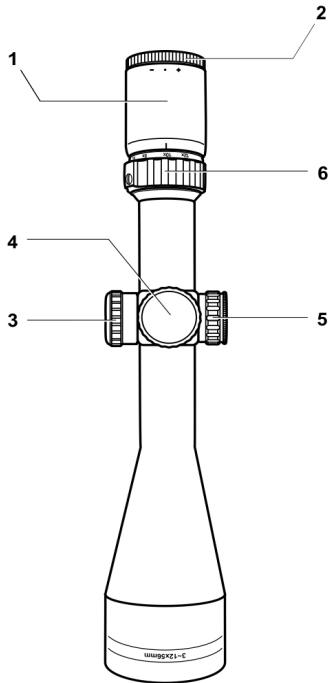
DISTINGUISHING FEATURES OF THE CRAFT

- Nitrogen-filled optical channel prevents fogging of inner optical parts in case of rapid temperature change
- Variable magnification adjustment
- Multicoated lenses ensure maximum light transmission, clarity and precise colour rendering
- One-piece metal body with anodized coating
- High-precision reticle adjustments of ¼ MOA per click which ensures fast and accurate aiming
- Long eye relief for safe shooting
- Flip-up lens and eyepiece caps
- Shock absorbing lens and eyepiece bandages

- High recoil power up to 7000 Joules
- Light weight

USING THE EYEPIECE DIOPTRE FOCUSING

- Look at a distant object through the eyepiece (1), eye relief should be around 70-90 mm (varies depending on the zoom factor).



- If the reticle image is blurry, rotate the diopter adjustment ring (2) until the image is sharp and clear.

WARNING: Never look at the sun through the riflescope (or any other optical instrument) - it may permanently damage your eyes.

Mounting









- To ensure precise shooting the sight should be correctly mounted on a rifle.
- Use a high-quality mount with bases (not included) designed to fit your type of rifle.

The scope should be mounted as low as possible without touching either the barrel or the receiver. Before tightening the mount rings make sure you have the necessary eye relief that allows you to see a full field of view.

Zeroing

Bore sighting is a preliminary procedure to achieve proper alignment of the sight with the rifle's bore.

- Aim at a target 100 meters away
- If the impact point deviates from the aiming point, measure the vertical and horizontal distance between these two points.
- Unscrew the windage and elevation adjustment covers (3), (4) and rotate the discs in the directions shown in the table below.

Turn direction		Impact point
Elevation adjustment (3)		Left up
Windage adjustment (4)		
Elevation adjustment (3)		Left down
Windage adjustment (4)		
Elevation adjustment (3)		Right up
Windage adjustment (4)		
Elevation adjustment (3)		Right down
Windage adjustment (4)		

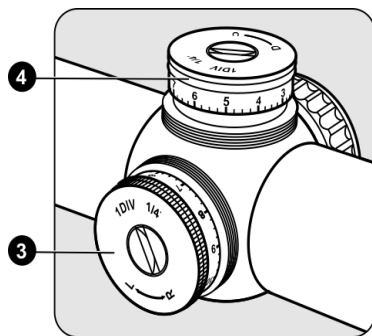
- Keep on firing and adjusting until the impact point coincides with the aiming point.

Attention! Each “click” of the Adjustment Scale Ring will change bullet impact by 1/4 Minute of Angle which equates to 7 mm at 100 meters.

Aiming reticle

Craft optical sights are equipped with reticle #40 with a red illuminating dot in its centre. To change illumination power, set the knob (5) against corresponding mark on the housing showing one of the illumination levels (there are 11 levels - see picture). Reticle illumination is powered by a single CR2032 Lithium battery. To replace the battery, unscrew the cover of the knob (5) counterclockwise and insert a new battery with “+” facing upwards.

Please note that if the sight is to be used with a Night Vision attachment, reticle illumination level should be set to “1”.



OPERATING INSTRUCTIONS

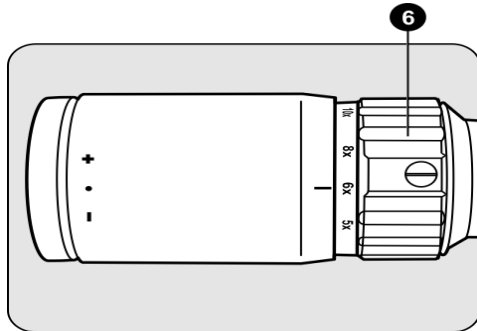
The SENTINEL night vision riflescope is intended for observation and shooting at dusk or during nighttime hours. It is a passive starlight device, and in most conditions does not require an artificial or IR light source. The scope is built with a high performance Gen1 image intensifier tube. The built-in IR illuminator enhances a viewing ability in environments of absolute darkness. Power supply, with the voltage stabilization, works up to 70 hours using 2 AA batteries. Low batteries do not affect aiming ability. Additional remote stabilized power supply was designed for optimized

power consumption, which ensures a consistent aiming point in conditions of continuous power draw or drop in temperature.

The SENTINEL is a universal night vision scope, which is ideal for night observation and hunting.

Variable power adjustments

To change magnification, rotate the Zoom Ring (6) to align the desired number on the power scale with the index dot.



When still-hunting or stalking game, a variable scope should be set to lower magnifications at close range. Higher magnifications should be reserved for precise long-range shots.

TECHNICAL INSPECTION

- It is recommended that you inspect the riflescope before every use. Make sure to check for the following:
- Visually inspect that the unit is free from any physical damage cracks, dents or signs of corrosion which may impair full functionality.
- Check the sturdiness and proper fit of the mounting system.
- Ensure that the objective lens and eyepiece are free of cracks, grease spots, dirt, water stains and other residue before use.
- Visually inspect the condition of the battery and the battery compartment the battery should be free of electrolyte and oxidation residue, especially where the battery makes contact with metal.
- Verify the smoothness of the windage/elevation knobs reticle brightness adjustment nob.

TECHNICAL MAINTENANCE

Technical maintenance should be done no less than twice a year, and is comprised in the following steps:

- Clean the outside metallic and plastic surfaces from dust, dirt and moisture wipe the scope with a soft lint free cloth.
- Clean the battery compartment's electric contact points using an oil-free solvent.
- Inspect the eyepiece lens and the objective lens and gently blow off any dust and sand, and clean using lens cleaner and a soft cloth see section entitled «GUIDELINES FOR OPERATION»

STORAGE

Always store the unit in a dry, well-ventilated space.

WARRANTY

The Manufacturer warrants its products against defects in materials and workmanship for a period of ten years from the moment of purchase or from the manufacturing date if there is no receipt to prove purchase.

To avoid any problems, we recommend becoming familiar with the device's user manual.

The warranty does not cover any external damage to the device, its casing or adjustable parts' movements (i.e. smooth movement or rough movement).

The manufacturer has the right to render the warranty null and void in the following cases:

- if the device has been modified or tampered with;
- if the device has been dropped or has marks of mechanical or chemical damage;
- if the device has been tampered with by an unauthorized repairer;
- if the device has been damaged as a result of fire or natural disasters;
- if the device has been damaged as a result of liquids or other substances getting inside.

In the event of activating the warranty repair service, please contact the distributor where the device was purchased or contact the national distributor in your country.

Any product returned under this warranty should be packaged in a sturdy, outside shipping carton, to prevent damage in transit.

In addition, it must be accompanied with the following items:

- Letter explaining the unit's problem.
- Copy of the original receipt showing when and where the product was purchased.
- Return Shipping Information, including return address and contact person.

Please contact our service centre with any questions you may have - e-mail: euservice@yukonopticsglobal.com