

MODEL	22038
Objective lens diameter, mm	40
Magnification, x	8
Eye relief, mm	14.5
Exit pupil diameter, mm	4.3
Angle of view, angular degree, not less than	7.5
Field of view at 1000m distance, m	118
Twilight factor	18
Resolution, sec	7.5
Close focus distance, m	8
Focusing range of the center focus mechanism, diopter	±6
Focusing range of the right eyepiece, diopter	-4.5 / +3
Operating temperatures	-30°C...+40°C / -22°F...+105°F
Dimensions, mm/in	
- length	150 / 5.9
- width	190 / 7.4
- height	63 / 2.4
Weight, kg/oz	0.82 / 28.9

**PACKAGE CONTENTS:**

- Binocular Futurus 8x40 WA
- Neck Strap
- Padded Carrying Case
- User Manual
- Lens Cloth
- Warranty Card

For improvement purposes, design of this product is subject to change.

FEATURES

- Optimal magnification
- Wide field of view
- High light gathering capacity
- Compact dimensions
- Center focus mechanism
- Porro prism system which yields higher magnification and greater depth perception
- BAK4 optical glass for optimum light transmission and reduced distortion at the edges
- TRUE COLOR™ multilayer lens coatings that provide bright images and natural color reproduction
- Ergonomic body for easy operation
- Rubber-armored, shock-proof carbon plastic body
- Tripod mountable
- High image quality
- Light weight
- Stylish and durable case

OVERVIEW

Binocular Futurus 8x40 WA is a multitask device combining optimal magnification and compact dimensions.

This binocular is designed for amateur and professional uses and is indispensable for:

- Hunting, fishing, sports events
- Wildlife observation
- Security and guarding
- Tourism, rescue operations, equipment maintenance

USING YOUR BINOCULARS

Before using your binoculars for the first time, please review all of the instructions contained within the instruction manual. Carefully following the instructions, you will get the most out of this precision instrument. Protect your binoculars by exercising caution when in the company of children or people unfamiliar with the proper use of optical instruments.

Attention!

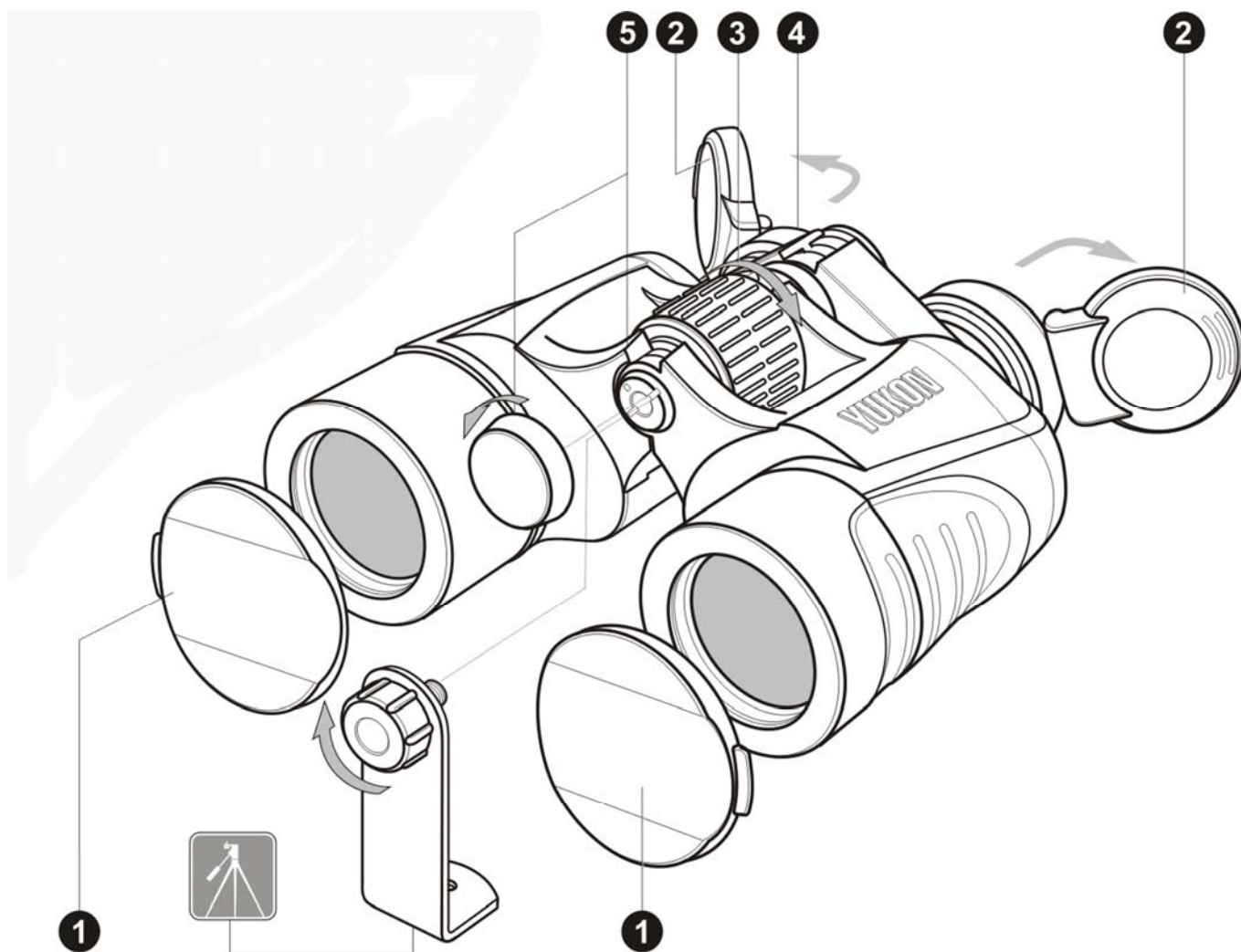
Always protect your eyes and never look directly at the sun or any other source of bright light through the binoculars!

Setting the interpupillary distance (IPD)

Attention!

When setting the Interpupillary Distance, be careful not to jam the tips of your fingers in the folding action of the two barrels of the binoculars.

- Remove the binoculars from their case and open all four lens caps on both the large objective (1) and the smaller eyepiece lenses (2).
- Pick a group of objects off in the distance and folding or unfolding the binoculars (moving the two halves of the binoculars up or down close to the central pivot) while observing through the eyepieces, choose such a position when you see only one image of the objects and feel they are equally remote.



FOCUSING THE BINOCULARS AND DIOPTRIC ADJUSTMENT

- Aiming the binoculars at any distant object, turn the large center focus wheel (3), until you see a sharp image through the left fixed eyepiece. Do not attempt to rotate the left eyepiece!

- With the image in the left eyepiece now focused, you can proceed to Dioptic Adjustment. This will address the natural differences between the right and the left eyes and reduce eyestrain from prolonged use.
- Look through the right eyepiece at the distant object and turn the Diopter Knob of the right eyepiece (4) until you get a crisp image.
- Turn the central focusing wheel (3) until you get a sharp image through both barrels.
- As you continue viewing, you may find that you need to refocus the image. This should be done only using the central focusing wheel (3) as you have already tuned the binoculars to your individual needs.
- Special characters “+ | -“ and “▲”, located near the right eyepiece (4), will help you to easily mark and remember your personal setting for the Diopter Knob.

MOUNTING THE BINOCULARS ONTO A TRIPOD

- During periods of extensive observation in a stationary position, it is recommended to mount the binoculars onto a tripod. To mount them properly, please use the tripod adapter.
- Secure the adapter to the tripod.
- Remove the protective screw from the 1/4” threaded socket (5) in the base of the binoculars.
- Now, screw in the adapter screw into the binoculars' 1/4” threaded socket. The binoculars are now securely mounted.

PROPERLY STORING AND CARING FOR YOUR BINOCULARS

- Aim to keep the lenses free of any dirt accumulation, as much as the conditions allow.
- Before cleaning the lenses, blow on them to remove sizable particles of sand and dust.
- When wiping optical surfaces, please use the lens cloth which comes standard with the set. If a lens cloth cannot be found, you can use any soft, clean fabric (soft cotton cloth, flannel, silk, or a cotton swab are best).
- Any grease should be removed with a tissue soaked in rubbing alcohol. In field conditions or if you do not have rubbing alcohol, breathe right onto the surface of the lens and dry the condensation off with a soft, clean cloth.

Attention!

In order to avoid damaging the lens' coatings, never use paper (dry or wet) to clean the lens nor apply rubbing alcohol directly onto the lens.

- To clean the binoculars' exterior, please use a dry tissue. For sheen, apply a few drops of Vaseline or a similar substance to the tissue.
- The binoculars are a sensitive optical instrument; do not drop them. Safeguard them from any other physical damage.
Do not subject the binoculars to prolonged exposure to direct sunlight or high temperatures.
Do not leave near a heater or heating appliances.
- When not in use, keep your binoculars in the included carrying case in a warm, dry, and well-ventilated space.
- It is strongly forbidden to repair or disassemble the binoculars! Failure to comply with this requirement may void the warranty