

MODEL #	26115T / 26125T	26116T / 26126T
Magnification, x	3	4
Objective lens diameter, mm	50	60
Image intensifier tube, generation	2+ / EPM66G-2	2+ / EPM66G-2
Resolution, lines/mm	45	45
Field of view, (at eye relief = 50mm) deg	13	11
Detection range, m/yds*	700	800
Minimum focus range, m/yds	5 / 5	8 / 8
Diopter setting, D	±3.5	±3.5
Battery type/ Voltage	3V / 2xAA**	3V / 2xAA**
Estimated battery life w/out IR under +20°C/68°F, hour	70	70
Eye relief, mm	50	50
Operating temperature range	-30 °C + 40 °C / -22 °F to +104 °F	
Water intrusion rating	IPX4	IPX4
Dimensions:		
Length, mm/inch	288 / 11.3	320 / 12.6
Width, mm/inch	90 / 3.5	90 / 3.5
Height, mm/inch	100 / 3.9	100 / 3.9
Weight, kg/oz***	≈ 1.0 / 35.2	

- * In natural night conditions, quarter moon.
- ** We recommend using Alkaline batteries as they have a longer life.
- *** Weight may vary based on the type of weapon mount. The Sentinel G2+ comes assembled in different scope/mount combinations to accommodate rifles with top rails or side mounting plates.

PACKAGE CONTENTS:

- Sentinel G2+ Riflescope
- Protective carrying case
- Remote control
- Operating manual
- Warranty card

Models 26125T and 26126T are equipped with a Mil-Dot (MD) reticle.

The Sentinel G2+ is a complex electro-optical device designed using innovative technology. It is strongly recommend to read and follow carefully all the instructions before using the scope.

For improvement purposes, design of this product is subject to change.



DISTINGUISHING FEATURES OF THE SENTINEL G2+

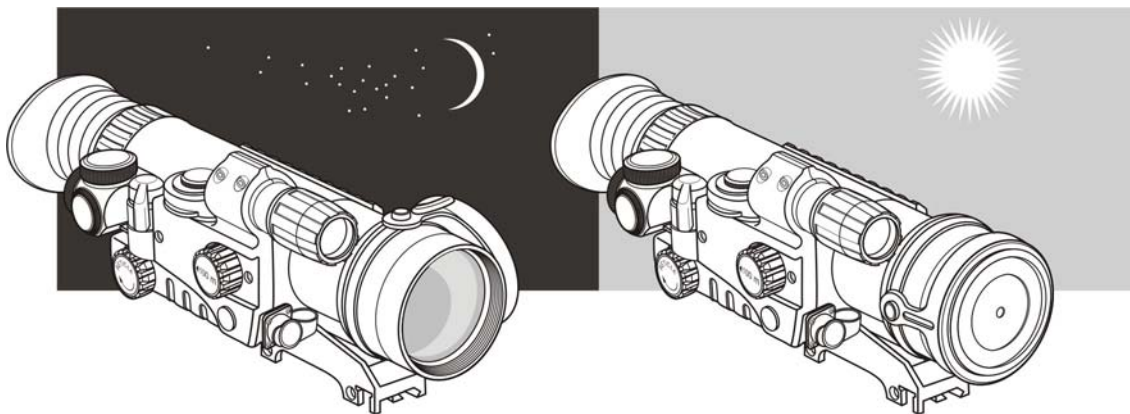
- Gen.2+ tube employed
- Two-color range finding reticle or Mil-Dot reticle*
- High quality image and resolution
- High magnification, 3x or 4x
- Close observational range of focus - 5 meters
- Lightweight and extremely durable titanium body
- Built-in high-power PULSE non-hazardous IR illuminator with beam focus
- Incremental reticle brightness adjustment
- IPX4 rating against water intrusion
- Precision internal windage/elevation adjustment
- Ergonomic design
- Quick power-up
- Vertical positioning of the battery- ensures uninterrupted power supply when shooting
- Remote stabilized power supply
- ECLIPSE protective flip-up objective lens cover
- Weaver MIL-STD-1913 rail
- Protective carrying case
- Remote control with secure attachment

**In models 26125T and 26126T*

Warning: Failure to follow the instructions and guidelines outlined in this instruction manual can cause damage to the scope, and it will void any applicable warranty.

DESIGN AND APPLICATION

The Sentinel G2+ night vision riflescope is intended for observation and shooting at dusk or during nighttime hours. It is a passive starlight device, and in most conditions does not require an artificial or IR light source. The Sentinel G2+ uses a high performance Gen.2+ image intensifier tube and features a focusable objective lens. The incorporated IR Illuminator enhances riflescope's viewing ability in complete darkness or in moonless and starless environment. Power supply, with the voltage stabilization, works up to 70 hours using 2 AA batteries. Low batteries do not affect aiming ability. Additional remote stabilized power supply was designed for optimized power consumption, which ensures a consistent aiming point in conditions of continuous power draw or drop in temperature. The Sentinel G2+ is a universal night vision scope, which is ideal for Night observation and hunting.



USING THE SENTINEL G2+

The Sentinel G2+ was designed to provide many years of reliable service. To ensure longevity and performance, it is necessary to follow all procedures and guidelines outlined in this manual.

WARNING: The Sentinel G2+ is not recommended for use with cartridges producing recoil rating higher than 6000 joules or calibers in excess of 9/.375. The manufacturer's warranty will be voided if damage is caused by caliber cartridges greater than 9/.375, hand made cartridges or shooting from a smooth-bore barrel.

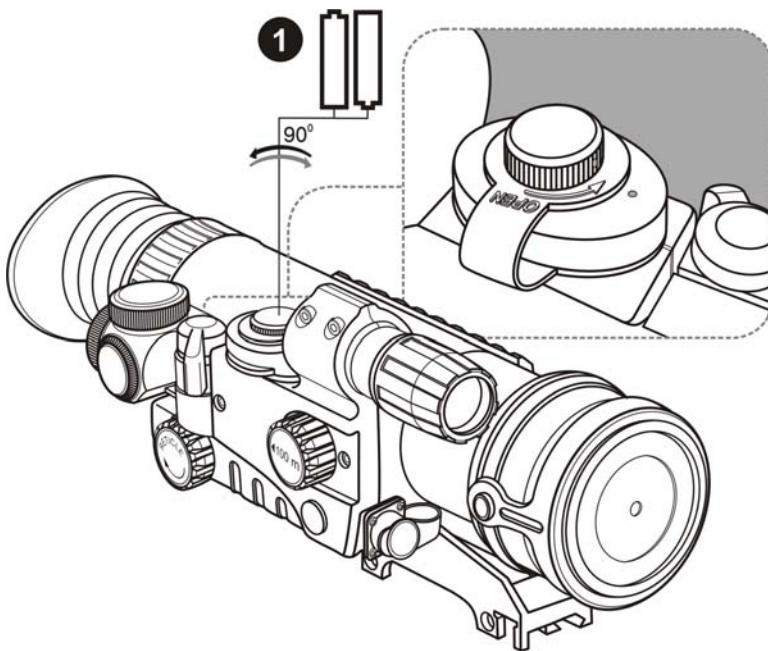
- Do not remove the lens cap in a lit area if the scope has been activated or if the eyepiece is emitting a green glow.
- Exposure to bright light can damage the image intensifier tube (IIT).
- The scope has an IPX4 water resistance rating. It is water resistant and can be used in inclement weather conditions.
- Do not attempt to repair or disassemble the scope!
- Clean the scope's optical surfaces only if necessary, and use caution. Remove dust and sand by blowing air across the optic surface, then apply lens cleaning fluid for multi layered optics onto a soft cloth or tissue and wipe carefully.
- Do not pour any fluid, including alcohol, onto the lenses directly. The scope can be used in temperatures ranging from -30 °C to +40 °C. However, when it is brought indoors from cold temperatures, due to uneven heating of external and inner parts condensation may appear - wait 1-2 hours before it disappears.
- Consult a qualified gunsmith if there is difficulty attaching the scope firmly to a rifle or if there is uncertainty about the right type of mount. The weapon mount can be deformed or destroyed by shooting with a riflescope that is not mounted correctly.

- Regular maintenance of the scope will help keep the device free from malfunctions and untimely wearing of parts and connectors.

Failure to observe these warnings will void the manufacturer's warranty.

BATTERY INSTALLATION

- Turn the knob of the battery compartment cover 90° counterclockwise (1) to match the red dot on the knob with the red dot on the battery compartment cover.
- Remove the cover by raising it by its lug.
- Slide in two AA batteries so that the “+” and “-” match the polarity on the inner side of the cover; rechargeable AA batteries may be used.
- Close the cover of the battery compartment cover and turn the knob of the cover 90° clockwise.



OPERATING THE SENTINEL G2+

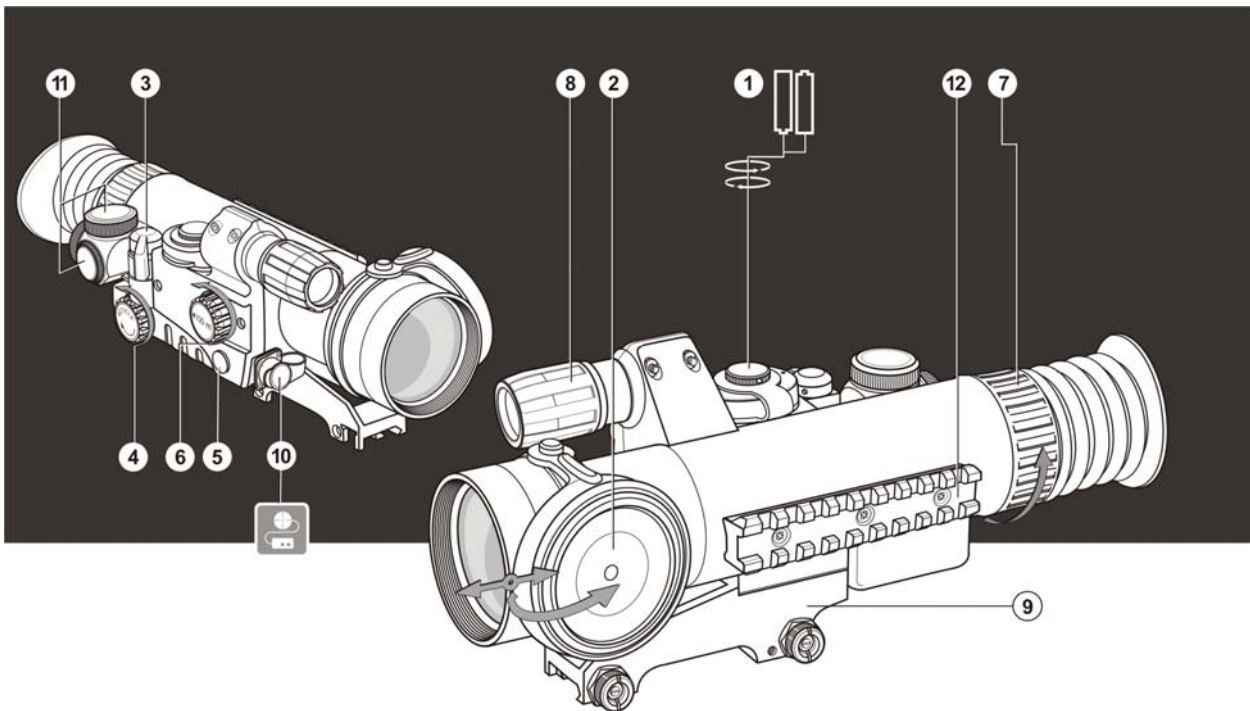
WARNING: It is strongly recommended to test and operate the Sentinel G2+ in dark conditions or at night time.

- Install the batteries according to the directions in the section entitled “BATTERY INSTALLATION”.
- Enter a dark environment.
- Remove the objective lens cap by sliding it up on top of the objective lens (2).
- Activate the scope by turning the power switch to the “ON” position (3).
- Select the color of the reticle, green or red, by pushing the button (5) until its clicking position.
- Adjust the reticle brightness by rotating the switch (4).
- Please select an object of observation at a distance of approximately 100 meters (about 110 yards) away.
- Set up the objective focus ring knob (6) to be aligned with the mark "100".
- Focus on the selected object by rotating the eyepiece ring (7). If needed, turn on the IR illuminator (8) by turning the switcher (3) to the “IR” position.
- Rotate the IR illuminator lens ring - by doing so it moves forwards and backwards - until the IR illuminator beam is focused (picture quality turns worse if the luminance level is excessive). If

after all the settings are completed and the image is still not clear, despite the distance and conditions do not rotate the eyepiece ring (7). Refocus by turning the objective lens ring (6) only and adjusting the IR illuminator (8) beam focus.

- To turn off the Sentinel G2+, simply turn off the scope and close the cover over the objective lens. After mounting the scope onto a rifle for the first time, zero it by following the instruction in section SIGHTING OF THE SENTINEL G2+.

Note: The Sentinel G2+ and its IR can be activated using the remote control.



SIGHTING IN THE SENTINEL G2+

WARNING: Be sure to follow proper safety instructions provided by the weapon manufacturer or vendor.

To test the scope in a lighted area, protect the intensifier by keeping the lens cover over the objective lens of the scope. Regardless of being in the “ON” or “OFF” position, the IR illuminator will not have any effect in a lighted environment.

Note: The sighting of the scope should be performed under the same environmental and temperature conditions as the ones that the scope will be exposed to during its use.

- In case when the aiming point (the center of the reticle) does not match the center of target, adjust by turning the windage/elevation knobs (11) RIGHT & UP until the aiming point (the center of the reticle) matches the center of target.
- Take 3-4 control shots trying to be as accurate as possible aiming at the center of the target.
- Examine the results. If the results are noticeably skewed to one of the sides from the center, adjust by turning the windage/elevation adjustment knobs RIGHT & UP as needed. Repeat control shots until the aiming point matches the center of target. Remember: one click equals 20 mm at 100 m (Sentinel G2+); 1.533 cm (0.5519 inch) at a distance of 100 meters (110 yards) (Sentinel G2+ MD 3x50); 1.232cm (0.4435 inch) at 100 meters (Sentinel G2+ MD 4x60).

RETICLE AS A RANGEFINDER

The range finder reticle in your Sentinel G2+ was designed to assist you in determining the range of your target. The range can be determined using marks (chevrons) on horizontal line as well as bars on vertical line of the reticle.

Note: To utilize this feature, the Sentinel G2+ needs to be sighted at 50 meters (55 yards).

HORIZONTAL SCALE

If a 0.35 meter (13.7 inch) wide target fits between the two closest center marks on the horizontal line of the reticle, the target is 50 meters (55 yards) away. If the same target fits between the marks located just beneath the horizontal line of the reticle, the target is 100 meters (110 yards) away. If the same target fits between the marks located above the horizontal line of the reticle, the target is 25 meters (27 yards) away.

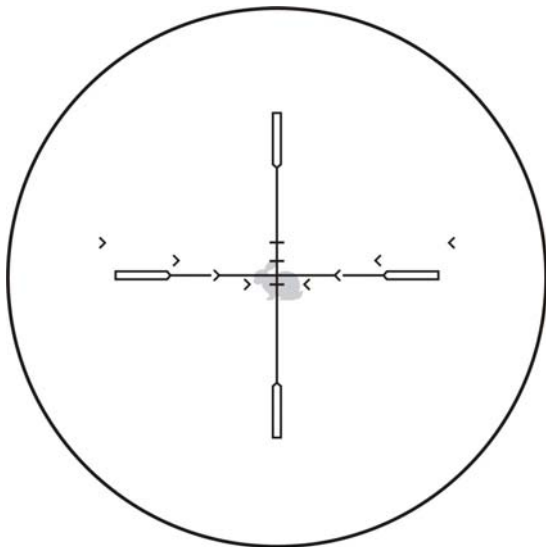
Please see a drawing below.

VERTICAL SCALE

The four short horizontal bars are located on the main vertical line. If a 0.35 meter (13.7 inch) high target fits between the top marks and the bottom mark right below the horizontal line, the target is 25 meters (27 yards) away. The other two horizontal bars on the vertical line correspond to 50 meters (55 yards) and 100 meters (100 yards) accordingly.

Note: If the determined range is 100 meters (110 yards), aim at the center of the target using the horizontal bar below the center crosshairs.

Note: It is possible to select the color of the reticle of the Sentinel G2+. Red is best when used in clear viewing conditions. Green is preferable for use when viewing is obscured.



Picture: Target Size 0.35 m
- Distance 100m/110y

MIL-DOT RETICLE

Your night vision riflescope Sentinel G2+ has a Mil-Dot reticle installed which helps you determine distance to the target if you know its actual size.

The Use of a Mil-Dot reticle:

- Viewing the target through the riflescope place the edge of one post against one edge (top, bottom, or either side) of the target so that the crosshair extends along either its width or height.
- Using the dots, measure along the crosshair to the opposite edge of the target.
- Once the measurement of the target has been estimated in mils, use the following formula to determine the range:

$$\frac{\text{The Measured object's width or height in Yards} \times 1000}{\text{Object's Width or Height in Mils}} = \text{Range in Yards}$$

or

$$\frac{\text{The Measured object's width or height in Meters} \times 1000}{\text{Object's Width or Height in Mils}} = \text{Range in Meters}$$

or

$$\frac{\text{The Measured object's width or height in cm} \times 10}{\text{Object's Width or Height in Mils}} = \text{Range in Meters}$$

Example:

$$1.33 \text{ yards} \times 1000 / 2.5 \text{ mils} = 532 \text{ Yards}$$

- When making windage/elevation adjustments please note that one click of the riflescope's adjustment equals to:

For the model Sentinel G2+ 3x50:

0.527 MOA (minute of angle); 0.5519"/100yds;
1.533cm/100m

For the model Sentinel G2+ 4x60:

0.4235 MOA ; 0.4435"/100 yds; 1.232cm/100m

1 mil (millirad) equals 3.6 inches at 100 yards
or 36 inches at 1,000 yards,
or 10 centimeters at 100 meters
or 1 meter at 1,000 meters.

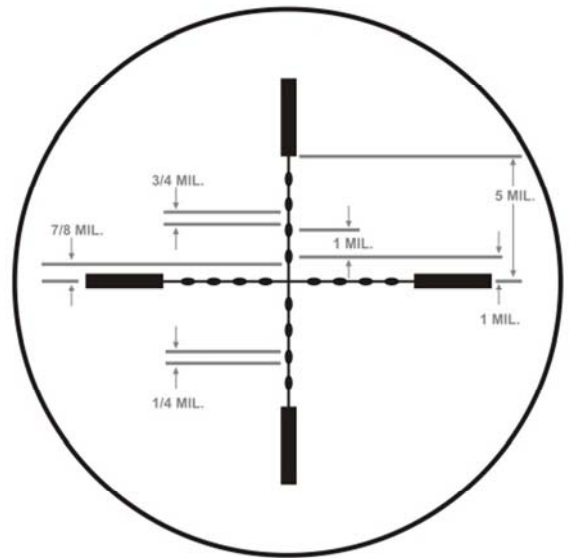
$$1 \text{ millirad (1 mil)} = 0.001 \text{ of the distance} = 3.4377 \text{ MOA}$$

Further information on the use of the Mil-Dot reticle (reference charts, calculators etc.) you can find at the following links:

- <http://www.mildot.com>
- http://www.mil-dot.com/Mil_Dot_User_Guide.htm
- <http://www.shooterready.com/mildot.swf>

INSPECTION

It is recommended to inspect the Sentinel G2+ before each use for:



- Integrity of body parts; condition of fastening screws and nuts - if rust appears wipe them with a alcohol gasoline blend and lubricate with gun oil.
- Check that the scope is firmly attached to the rifle.
- Objective lens, eyepiece and IR illuminator condition; cracks, finger marks, dirt, water drops and other stains are not acceptable.
- Make sure not to use depleted batteries or batteries that show stains of electrolyte, salt or acid leaks; these conditions may result in damage to the scope.
- Check that the power switches (3) and the reticle brightness knob (4) are functioning normally.
- Check that the objective lens ring (6) and the eyepiece ring (7) are movable.

MAINTENANCE

It is recommended that technical maintenance should be performed on the Sentinel G2+ at least 2 times a year; tasks for technical maintenance include:

- To clean the exterior of the scope of dust, dirt and moisture using a dry tissue with a few drops of gun oil or similar substance applied.
- To clean the electrical contact lead located in the battery housing using pure alcohol.
- To examine the lenses of the eyepiece, objective lens and IR illuminator and blow off sizable particles of sand and dust; clean the lenses only if necessary.
- Do not pour liquids directly onto the lens surface when cleaning; apply solution to a clean, dry cloth and then proceed to clean the lens.

WARNING: Please use extreme caution when handling hazardous substances, such as alcohol.

THE SENTINEL G2+ MAGNIFIER LENS 2.5x50

The NVRS magnifier lens attachment accessory (#29091) helps increase magnification of the Sentinel G2+ with an objective lens diameter of 50mm up to 1.75 times. Screw the magnifier lens onto the objective lens of the scope according to the instruction manual for the “NVRS 2.5x50 Doubler”. Sight in the scope after the magnifier lens is attached due to movement of the reticle.

ADDITIONAL WEAVER MIL-STD-1913 RAILS

The Sentinel G2+ has an additional Weaver rail (12) on the left side of the body. With the help of this mount it is possible to install:

- The Yukon IR Flashlight with mount (# 29072);
- The Yukon Directional Microphone with NVRS adapter (# 27022).

STORAGE

Always store the Sentinel G2+ in its case in a dry well-ventilated and well-heated room away from heating/air conditioning vents. Remove the battery if the device is to be stored longer than two months.

TROUBLESHOOTING

Listed below are some potential problems that may occur when using the Sentinel G2+. Carry out the recommended checks and troubleshooting steps in the order listed. Please note that the table does not list all of the possible problems. If the problem experienced with the scope is not mentioned, or if the suggested action meant to correct it does not resolve the problem, please contact the manufacturer.

Problem	Possible cause(s)	Corrective action
The riflescope does not turn on.	The batteries have been installed incorrectly.	Reinstall the batteries with the correct polarity orientation.
	Oxidized contact points in the battery compartment due to “leaky” batteries or contact points becoming exposed to a chemically reactive solution.	Clean the battery compartment, focusing on the contact points.
The riflescope turns off as the IR is turned on.	Total battery power is too low.	Install fresh batteries.
The red reticle is blurred and can not be focused with the eyepiece.	The eyepiece is not adjusted correctly.	Adjust the eyepiece according to the instructions in the “OPERATING THE SENTINEL G2+” section.
With a crisp reticle image, the image of the target at least 30m away is blurred.	Dust and moisture are covering the outside optical surfaces.	Clean the lens surfaces with a soft cotton tissue or cloth.
	Condensation collects on the inside of the objective and the eyepiece lenses, or is on the optical surfaces of the electronic-optical converter, and may be caused by the scope fogging due to a rapid change in temperature.	Let the unit dry by leaving it in a warm environment for 4 hours.
	Total battery charge is less than 2.0V.	Install fresh batteries.
	Luminance level in the observation area is too high.	Slide the protective cap (with a pinhole) on the objective lens or enter a dark environment.
Distinct black dots or specks on the screen while the image is focused.	The dots are cosmetic blemishes resulting from IIT production processes and do not interfere with the reliability or performance of the scope; the size of the dots are specified in the technical requirements for IIT's and the scope itself.	No need to take corrective action or return the scope.
The scope or the IR do not turn off via the “ON/OFF” switch on the scope.	The scope was activated by remote control.	Turn off the scope and the IR by using the remote control.
The displacement of the reticle while shooting.	The scope is not mounted securely.	Check that the scope is firmly attached to the mount and make sure that the same type and caliber bullets are being used as when the scope was initially sighted in; if the scope was sighted in during the summer, and is now being used in the winter, or vice versa, a small displacement of the aiming point is possible.

The scope does not focus.	Wrong settings.	Adjust the scope according to the instructions in the “OPERATING THE SENTINEL G2+” section and check the eyepiece and objective lens condition; if necessary, clean the lenses of dirt, dust, condensation, frost, etc. to prevent fogging in cold weather and apply a special anti-fog solution.
---------------------------	-----------------	---